



GIADA SYSTEM

models GSW-LTE* user manual

GIADA SYSTEM
35020 LEGNARO (PD) - Italy
Tel: +39.049.790876 – Fax: +39.049.790993
Web: www.giada-system.com
E-mail: info@giada-system.com

FEATURES

- Domestic and industrial smart light driver
- Manage lamps, rooms, colors and scenarios with GIADA app
- Operating with a reliable mesh network for a wider coverage
- Upgradable software through GIADA app
- Easy integration and setup

Find out latest news, availability of new products and more on GIADA SYSTEM online:



www.giada-system.com

HOW TO SETUP

- Install GIADA device according to the instructions in the **HOW TO WIRE** section.
- Install GIADA official app available for Android and iOS (see link below), then go to **HOW TO CONNECT** section to reach your new GIADA device.
- Configure the device: see the **HOW TO CONFIGURE & MANAGE** section to discover all the function to manage your lamp.
- Turn on the light!

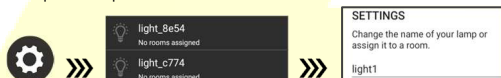


HOW TO CONNECT

- Connect your Android or iOS device to the Wi-Fi network chosen for your lamps.
- Make sure your GIADA device is powered on and that is less than five meters away, then start GIADA app. Your new device will be automatically recognized and added to the available lights: just tap on *Configure* and insert your network password when prompted.



- If correctly added, your lamp will appear in *your lights* menu. Change the lamp default name tapping on *settings* button, select the lamp and input the desired name.

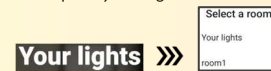


HOW TO CONFIGURE & MANAGE

- Create a room to manage a group of lamps: settings, add room
- Add a lamp to a room: settings, select lamp, assign a room and select the desired room.



- Manage a room: tap on *your lights* and select the desired room.



- Tune brightness and color of your lamps! *



- GIADA app will inform when device updates are available



* the options actually available depend on the model


HOW TO WIRE

Pin description

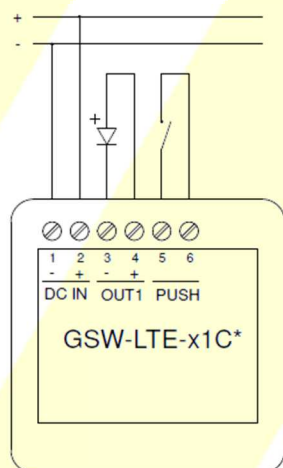
DC IN (1,2)	DC power input
OUT1 (3,4)	Output 1
PUSH (5,6)	Button input (WA)
OUT2 (7,8) *	Output 2
OUT3 (9,10) *	Output 3

* actually available depending on the model

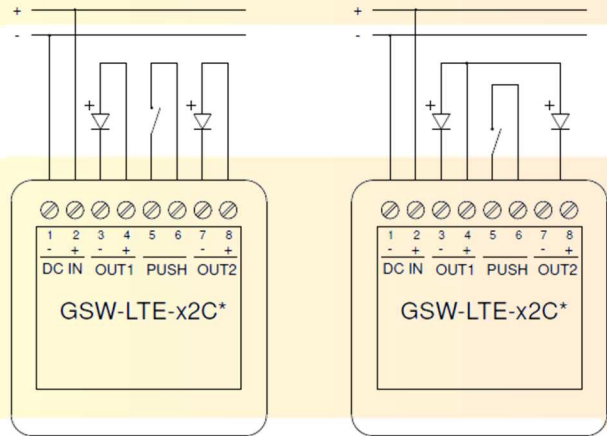
WARNINGS:

- Only qualified personnel should make the connections.
- Use only wire of proper section for both input and output.
- Use suitable power supply according to voltage and power requirements of the load(s).
- Choose a SELV power supply to obtain a SELV system.
- Make sure to connect input and output correctly.
- The PUSH input can be used with a NO (normally open) push button. Keep wire length as short as possible and do not exceed 5 meters in length.
- Use suitable load.
- In order to prevent damage and to maintain product reliability ensure proper aeration and keep the device away from heat sources.

ONE CHANNEL DEVICES

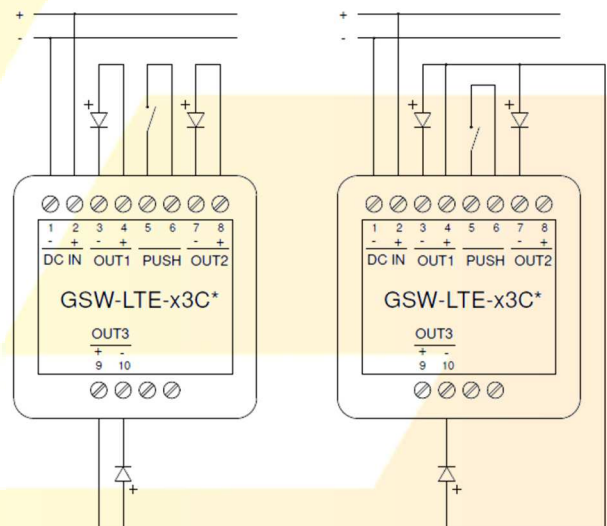


TWO CHANNELS DEVICES



COMMON ANODE CONNECTION

THREE CHANNELS DEVICES



COMMON ANODE CONNECTION



ELECTRICAL DATA

Input

Supply voltage DC	12 ÷ 48 V
Max. supply current	6,2 A
Standby power (@24V)	< 0,3 W
Efficiency	> 90%

Output

Type	Voltage controlled
Channels	1 to 3
Max. current per channel	6 A / number of channels

Radio data

Wi-Fi frequency	2,4 GHz – no band steering
Wi-Fi standard	802.11 b/g/n
Wi-Fi security	WEP, WPA, WPA2
Wi-Fi max. output power	+20 dBm
Bt operating band	2,402 – 2,481 GHz
Bt maximum output power	+9 dBm

System data

Max. network devices	100
Devices max. distance	10 m
Operating temp (Ta)	-20 ÷ +45 °C



DEVICE OS REQUIREMENTS

iPhone/iPad iOS	13.0 or later
Apple watch WatchOS	6.0 or later
Android	8.0 or later



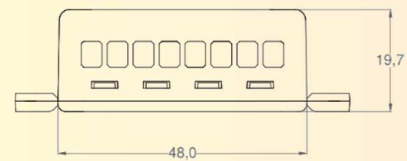
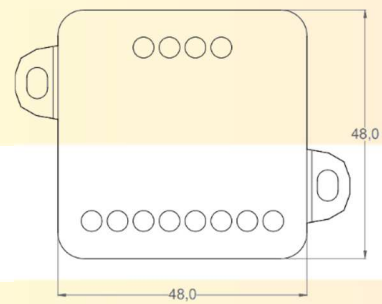
MECHANICAL DATA

Mechanical data

Dimensions LxWxH	48,0 x 48,0 x 19,7 mm
Weight	31 g
International Protection	IP20

Wiring data

Wire section	0,75 ÷ 1,5 mm ²
Wire strip length	6 mm
Connector max tightening torque	0,6 Nm



RoHS
COMPLIANT